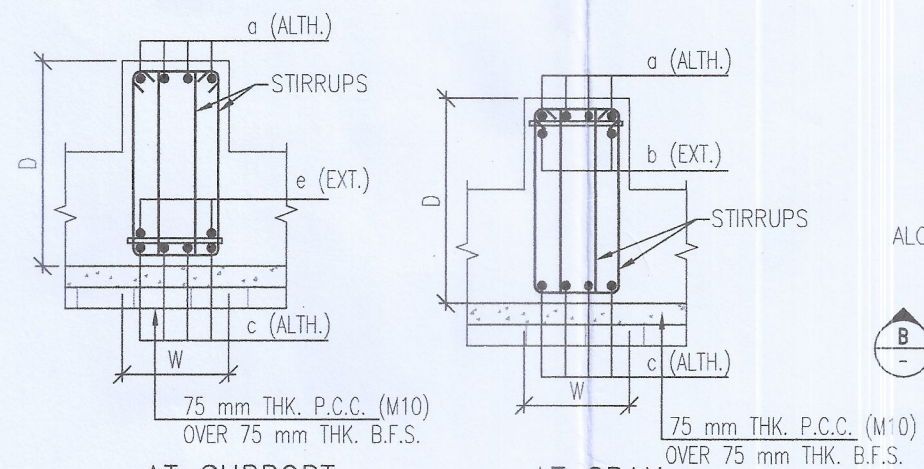
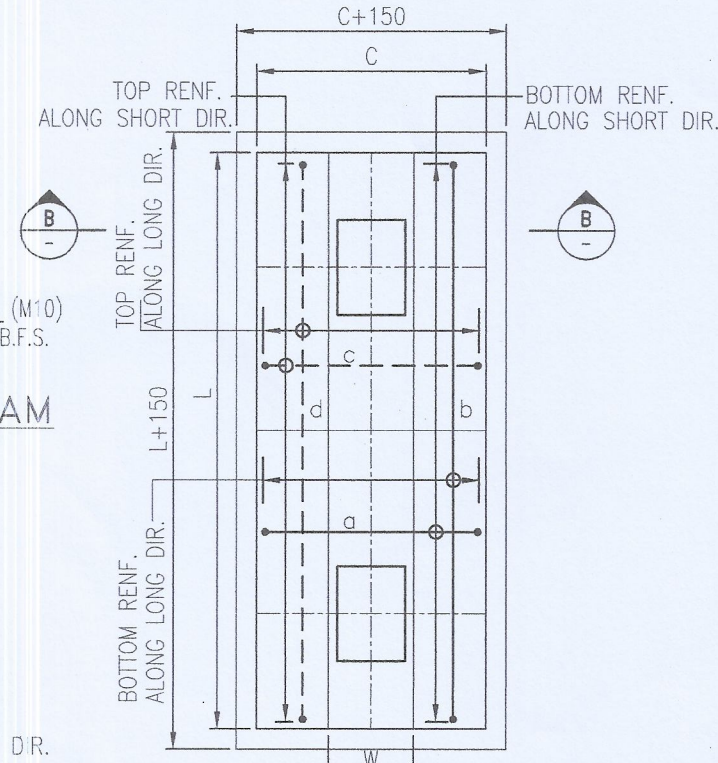


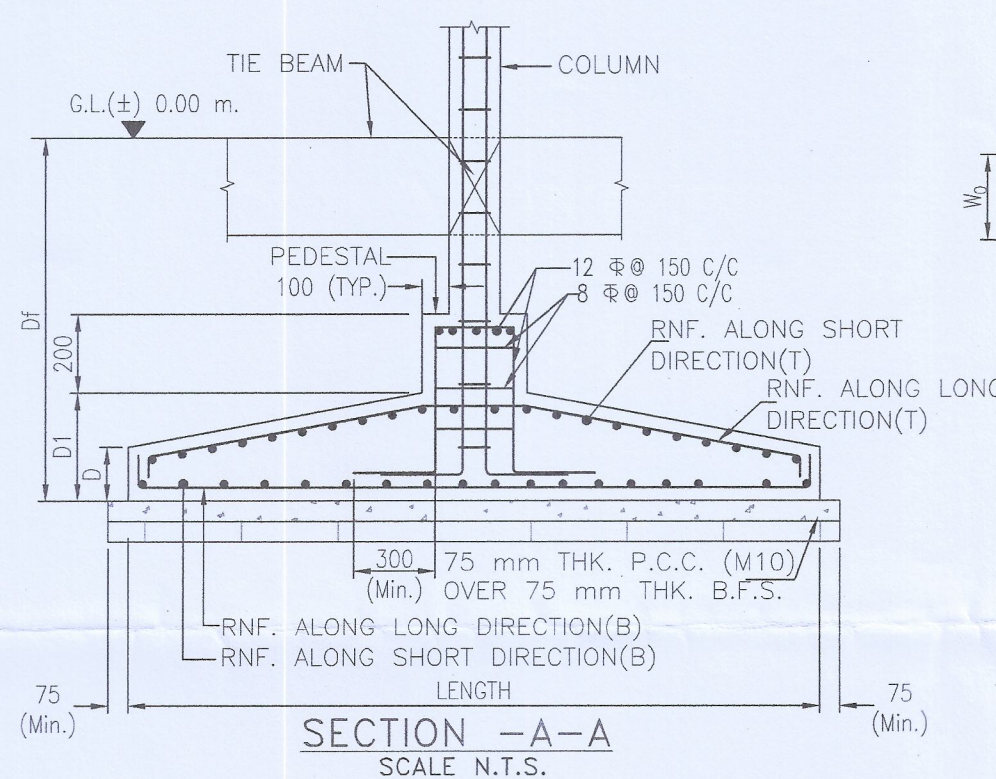
TYPICAL ARRANGEMENT OF REINFORCEMENT IN FOUNDATION BEAM
(AS PER SP 34-1987)
SCALE - N.T.S.



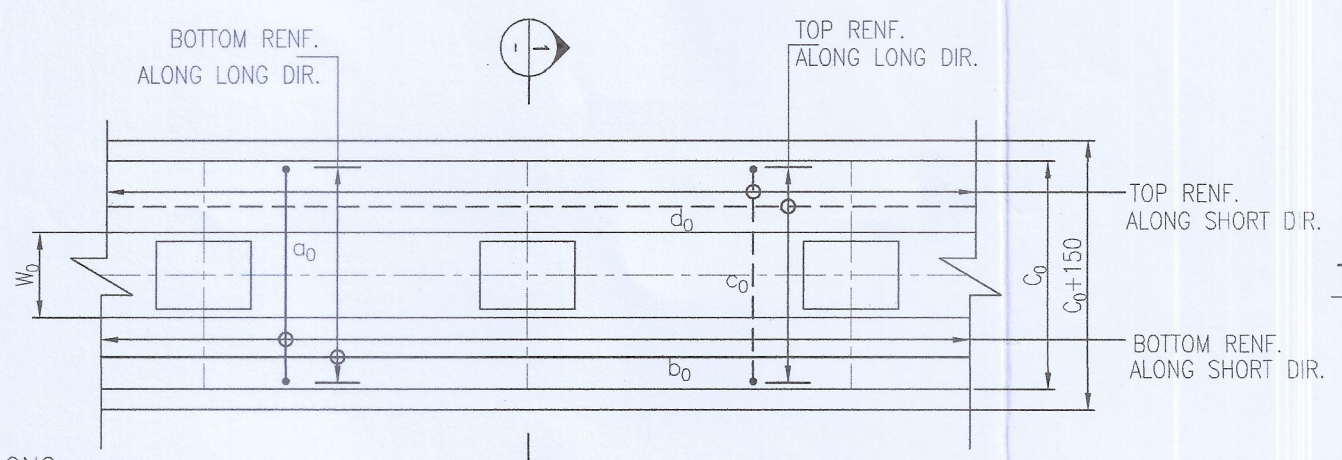
TYPICAL CROSS SECTION OF FOUNDATION BEAM
SCALE - N.T.S.



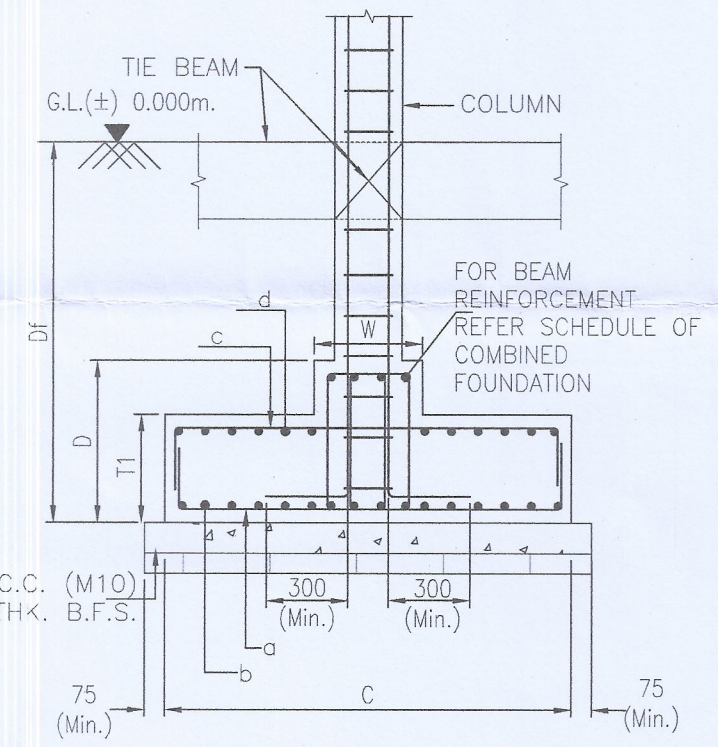
TYPICAL DETAIL OF COMBINED FOUNDATION
SCALE N.T.S.



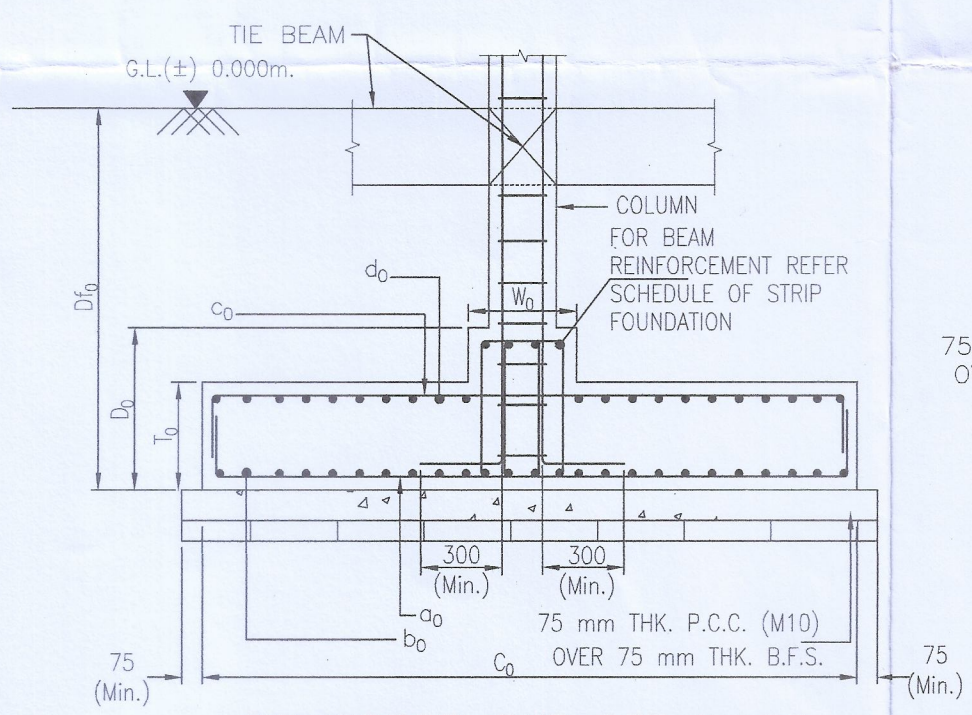
SECTION -A-A
SCALE N.T.S.



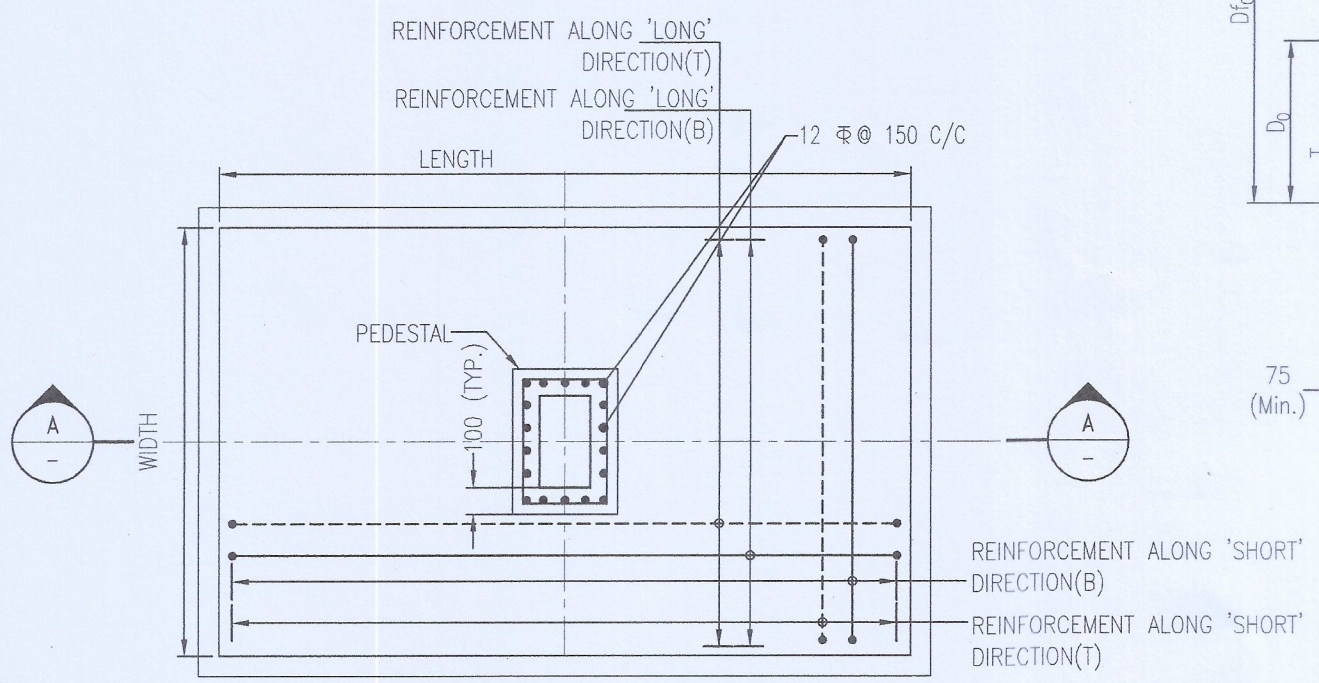
TYPICAL DETAIL OF STRIP FOUNDATION
SCALE N.T.S.



REINFORCEMENT DETAIL OF COMBINED FOUNDATION
SECTION B-B
SCALE N.T.S.



REINFORCEMENT DETAIL OF STRIP FOUNDATION
SECTION 1-1
SCALE N.T.S.



TYPICAL DETAIL OF ISOLATED FOUNDATION
SCALE N.T.S.

SPECIAL NOTES:-
1. THIS STRUCTURAL DRAWING IS VALID IF THE CONSTRUCTION IS DONE USING AAC BLOCKS FOLLOWING PROPER DIMENSION OF EXTERNAL AND INTERNAL WALLS AS PER ARCHITECTURAL DRAWING.
2. THE STRUCTURE MUST BE CONSTRUCTED IN PRESENCE OF A COMPETENT STRUCTURAL ENGINEER FOR STRICT SUPERVISION.

- NOTES :**
- UNLESS OTHERWISE STATED ALL CONSTRUCTION ACTIVITIES SHALL BE CARRIED OUT CONFORMING TO RELEVANT (INDIAN) STANDARD CODES OF PRACTICE.
 - ALL DIMENSIONS ARE IN MILLIMETERS & LEVELS ARE IN METER EXCEPT OTHERWISE MENTIONED ONLY WRITTEN DIMENSIONS SHALL BE FOLLOWED. ALL LEVELS GIVEN IN STRUCTURAL DRAWINGS ARE IN ACCORDANCE WITH ARCHITECTURAL DRAWINGS. AND INDICATE STRUCTURAL LEVEL ONLY (WITHOUT FINISH).
 - ALL STRUCTURAL DRAWINGS SHALL BE READ ALONG WITH THIS DRAWING AS WELL AS RELEVANT ARCHITECTURAL DRAWINGS.
 - ANY DISCREPANCY IN THE STRUCTURAL AND ARCHITECTURAL DRAWINGS SHALL BE BROUGHT TO THE NOTICE OF STRUCTURAL CONSULTANT BEFORE EXECUTION OF WORK.
 - UNLESS OTHERWISE SPECIFIED ALL REINFORCEMENT TO BE USED SHALL BE TMT BARS OF GRADE Fe-500/500 D CONFORMING TO IS-1786-2008.
 - ADEQUATE CHAIR BARS TO BE PROVIDED TO KEEP THE TOP REINFORCEMENT IN PROPER POSITION.
 - VIBRATOR SHALL BE USED FOR PROPER COMPACTION OF CONCRETE AND CURING SHALL BE DONE PROPERLY.
 - UNLESS OTHERWISE SPECIFIED DISTRIBUTION REINFORCEMENT SHALL BE 8 T @ 250 C/C.
 - CONCRETE CLEAR COVER SHALL BE AS FOLLOWS:
i) ISOLATED FOUNDATION : 50 mm
ii) RAFT BEAM & SLAB : 50 mm
iii) SHEAR WALL : 20 mm
iv) COMBINED & STRIP FOUNDATION : 50 mm
 - GRADE OF CONCRETE FOR SUBSTRUCTURE WILL BE M25 AS PER IS: 456:2000.
 - DEVELOPMENT LENGTH 50XD FOR LAP & SPLICES SHOULD BE PROVIDED AS PER THE PROVISIONS LAID DOWN IN SP 34:1987
 - THE NET SAFE BEARING CAPACITIES FOR ISOLATED, COMBINED, STRIP AND RAFT FOUNDATION AT DEPTH (-)1.5m. (UNLESS OTHERWISE MENTIONED) FROM G.L. HAVE BEEN CONSIDERED INTUNE WITH THE SOIL REPORT PREPARED BY BHASKAR JYOTI ROY(TECHNO SOIL).
 - THE MENTIONED BEARING CAPACITIES MUST BE ENSURED AT SITE UNDER THE SUPERVISION OF A COMPETENT GEO-TECHNICAL ENGINEER FOR VALIDITY OF THIS DRAWING.
 - THE N VALUE AS DESCRIBED UNDER NOTES OF TABLE-1 OF IS-1893(PART-1)-2016 SHOULD BE ENSURED TO BE GREATER THAN 15 FOR VALIDITY OF THIS DESIGN AND DRAWING.

TITLE - (BLOCK-D&E)
STRUCTURAL DRAWING OF PROPOSED G+IV STORIED RESIDENTIAL CUM COMMERCIAL BUILDING AT MOUZA :-KALIKAPUR, JL NO :- 40, R.S./L.R. DAG NOS:- 437; L.R. KHATIAN NOS:-3782,3995, R.S. NO:-141;TOUZI NO:-10;P.S:-RAJARHATUNDER PATHARGHATA GRAM PANCHAYET DISTRICT: NORTH 24 PARGANAS.

SIGNATURE OF OWNER **GITANJALI ENTERPRISE**
GITANJALI ENTERPRISE
Riku Chakraborty (son) *Arjo Das*
Partner Partner
GITANJALI ENTERPRISE

SIGNATURE OF ARCHITECT *Sanket K. Ghosh*
Partner

SIGNATURE OF GEO-TECHNICAL ENGINEER

SIGNATURE OF THE VETTING AUTHORITY
Dr. Dipankar Chakravorty
CHECKED & VETTED
DR. DIPANKAR CHAKRAVORTY
STRUCTURAL ENGINEERING DIVISION
PROFESSOR & FORMER HEAD
CIVIL ENGINEERING DEPARTMENT
JADAVPUR UNIVERSITY
B.E. (I.I.) Gold Medalist, M.Tech (ITKGP) Gold Medalist, Ph.D (IIT KGP)
(Office) 033-2457 2680, (M) 9830188502 & 8240148761
Email : prof.dipankar@gmail.com

SIGNATURE OF STRUCTURAL ENGINEER
Susmita Choudhury
SUSMITA CHOUDHURY
B.TECH (CIVIL) - WBUT
ME (CONSTRUCTION) - JU
ESE-1/RJPSON/130
ESE-II/KMC/664
STER/NKDA/21/00010
CVER/NKDA/10/00175
(M)- 8697517321/7003201735

STRUCTURAL CONSULTANT :
Structcon STRUCTCON ENTERPRISE
REGD. ADDRESS: ASHRAY APARTMENT, GROUND FLOOR
968, KALIKAPUR ROAD, KOLKATA- 700 099
Email-structconenterprise@gmail.com
Ph.-9007714478, 7003201735

DRAWING TITLE
REINF. DETAILS OF FOUNDATION
SCALE.-1:100 OR AS SHOWN
DATE.-07.06.2024
SHEET NO.- 2 OF 5 SHEET SIZE- A2